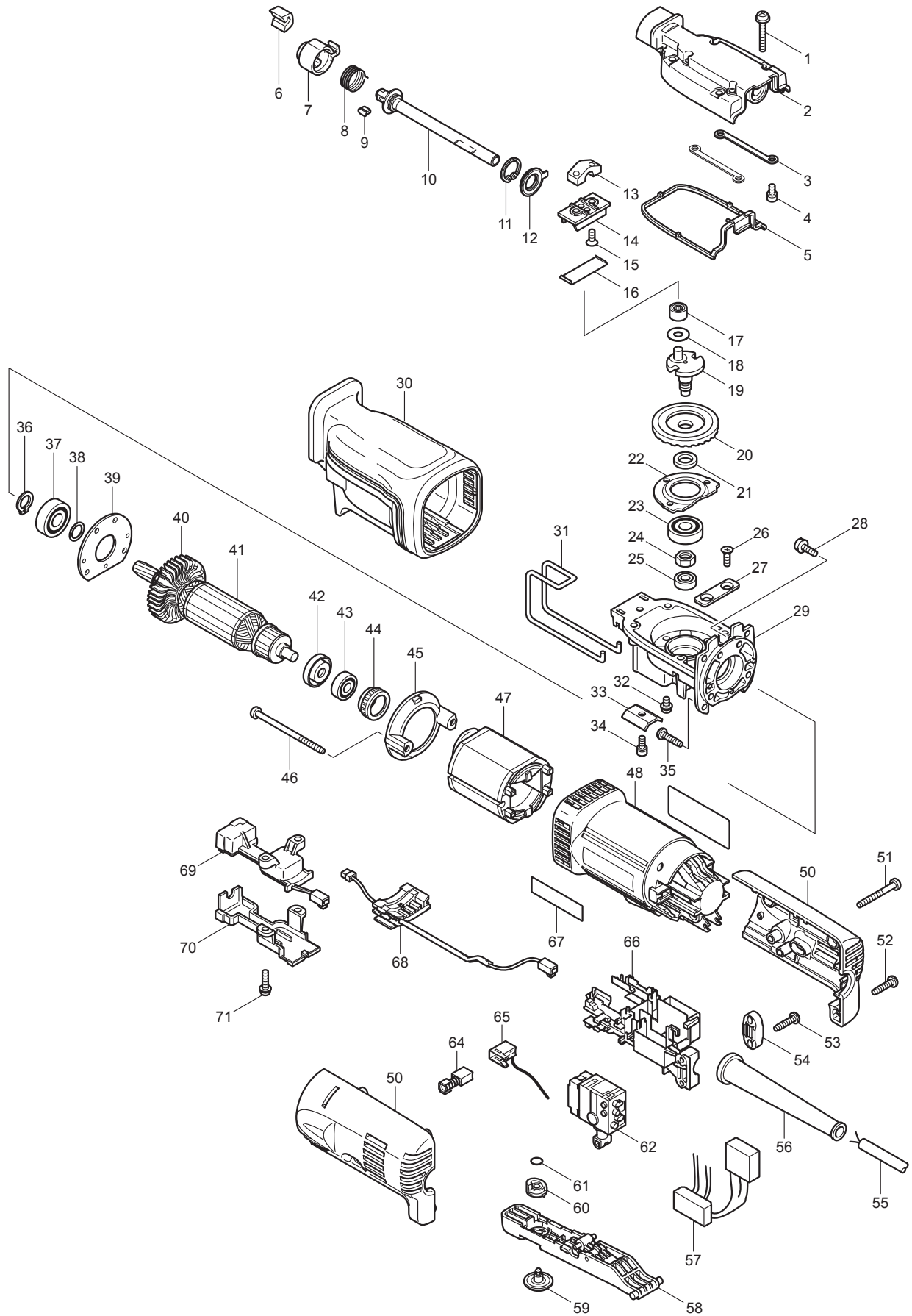




08 - 2008
JR1000FTK
RECIPRO SAW



Item No	Type	Ref Ref Part No	Description	Qty	Unit
1		911148-2	PAN HEAD SCREW M4X25	4	PC.
2		153877-3	GEAR HOUSING COVER COMPLETE	1	PC.
3		345428-8	SLIDE PLATE	2	PC.
4		922106-3	HEX. SOCKET HEAD BOLT M4X8	4	PC.
5		421864-3	PACKING	1	PC.
6		418636-5	HOLDER COVER	1	PC.
7		310136-0	BLADE HOLDER	1	PC.
8		231660-9	TORSION SPRING 15	1	PC.
9		310135-2	PUSH PIN	1	PC.
10		165391-7	ROD	1	PC.
11		962068-3	RETAINING RING R-18	1	PC.
12		421817-2	DUST COVER	1	PC.
13		317787-0	HOLDER	1	PC.
14		310028-3	SLIDER	1	PC.
15		265035-0	COUNTERSUNK HEAD SCREW M4X10	2	PC.
16		344232-2	THRUST PLATE	1	PC.
17		212010-7	NEEDLE BEARING 607	1	PC.
18		253332-6	THIN WASHER 6	1	PC.
19		324435-4	GEAR SHAFT	1	PC.
20		227463-7	SPIRAL BEVEL GEAR 37	1	PC.
21		257151-2	RING 10	1	PC.
22		285713-6	BEARING RETAINER 37	1	PC.
23		211051-0	BALL BEARING 609LLB	1	PC.
24		931403-6	HEX. NUT M8	1	PC.
25		210006-2	BALL BEARING 696ZZ	1	PC.
26		912112-6	COUNTERSUNK HEAD SCREW M4X10	2	PC.
27		345429-6	PLATE	1	PC.
28		911516-9	PAN HEAD SCREW M4X12	4	PC.
29		317785-4	GEAR HOUSING	1	PC.
30		421865-1	INSULATION COVER	1	PC.
31		324436-2	SHOE	1	PC.
32		911506-2	PAN HEAD SCREW M4X8	3	PC.
33		345435-1	PLATE	1	PC.
34		922111-0	HEX. SOCKET HEAD BOLT M4X10	1	PC.
35		265995-6	TAPPING SCREW 4X18	4	PC.
36		961006-2	RETAINING RING S-10	1	PC.
37		210059-1	BALL BEARING 6000DDW	1	PC.
38		267070-4	FLAT WASHER 10	1	PC.
39		285714-4	BEARING RETAINER 43	1	PC.
40		240061-0	FAN 48	1	PC.
41		517601-2	ARMATURE ASS'Y 115V	1	PC.
	INC	*****	Item No. 40,42,43		
42		681636-0	INSULATION WASHER	1	PC.
43		211021-9	BALL BEARING 607LLB	1	PC.
44		421494-0	RUBBER RING 19	1	PC.
45		418033-5	BAFFLE PLATE	1	PC.
46		266315-7	TAPPING SCREW MT 4X65	2	PC.
47		635081-1	FIELD 115V	1	PC.
48		183560-8	MOTOR HOUSING	1	PC.
	INC	*****	Item No. 67		
50		183797-7	REAR COVER SET	1	PC.
51		266053-1	TAPPING SCREW 4X35	1	PC.

Item No	Type	Ref Ref Part No	Description	Qty	Unit
52		265995-6	TAPPING SCREW 4X18	3	PC.
53		265995-6	TAPPING SCREW 4X18	2	PC.
54		687063-9	STRAIN RELIEF	1	PC.
55		664064-4	CORD W/PLUG 2P-18-2.5M, SJ	1	PC.
56		682559-5	CORD GUARD 8	1	PC.
57		631526-7	POWER SUPPLY CIRCUIT	1	PC.
58		153477-9	SWITCH LEVER COMPLETE	1	PC.
59		418037-7	SPEED CHANGE DIAL	1	PC.
60		418040-8	CAM	1	PC.
61		213034-6	O RING 3	1	PC.
62		650200-8	SWITCH TG803BA-1, S, NO LOCK, VS	1	PC.
64	1	191927-6	CARBON BRUSH CB-407 2PC/SET, W/O ORIGIN - N/L/A	1	SET
	2	195007-0	CARBON BRUSH CB-407 2PC/SET, W/O ORIGIN	1	SET
65		643806-9	BRUSH HOLDER	2	PC.
66		687139-2	SUPPORT	1	PC.
67		819063-3	MAKITA LABEL	1	PC.
68		638340-2	LEAD UNIT	1	PC.
69		631609-3	LED CIRCUIT	1	PC.
70		418637-3	LIGHT COVER	1	PC.
71		911128-8	PAN HEAD SCREW M4X16	2	PC.
100		654126-6	TAB	4	PC.
101		654128-2	EARTH TERMINAL	1	PC.
102		654501-6	CONNECTOR P-1.25	1	PC.
103		654593-5	SPLICE	2	PC.
C01		847358-4	CARTON F/JR1000FTK	1	PC.

ACCESSORIES

A01		410048-8	WRENCH HOLDER 3.4	1	PC.
A02		783201-2	HEX. WRENCH 3	1	PC.
A03		824722-6	PLASTIC CARRYING CASE	1	PC.
		417059-4	LATCH	2	PC.
A04		A-40967	SANDING ADPTOR	1	PC.
A05		B-04977	SANDING PAPER WA60(10pcs/PK)	1	SET
		B-04983	SANDING PAPER WA120(10pcs/PK)	1	SET
A06		A-40945	ROUND FILE	1	PC.
		A-40951	FLAT FILE	1	PC.
A07		A-85232	INLINE JIG SAW BLADE B-8, 5/SET	1	SET
		B-04933	INLINE JIG SAW BLADE B-19S, 5/SET	1	SET
		B-04949	INLINE JIG SAW BLADE B-22S, 5/SET	1	SET
		B-04961	INLINE JIG SAW BLADE B-30,5/SET	1	SET
		A-80416	INLINE JIG SAW BLADE B-K, 5/SET	1	SET
		792475-4	JIG SAW BLADE B-24, 5/SET	1	SET
		792529-7	JIG SAW BLADE B-10, 5/SET	1	SET
A08		B-44410	JIGSAW BLADE 10PC/KIT	1	PC.